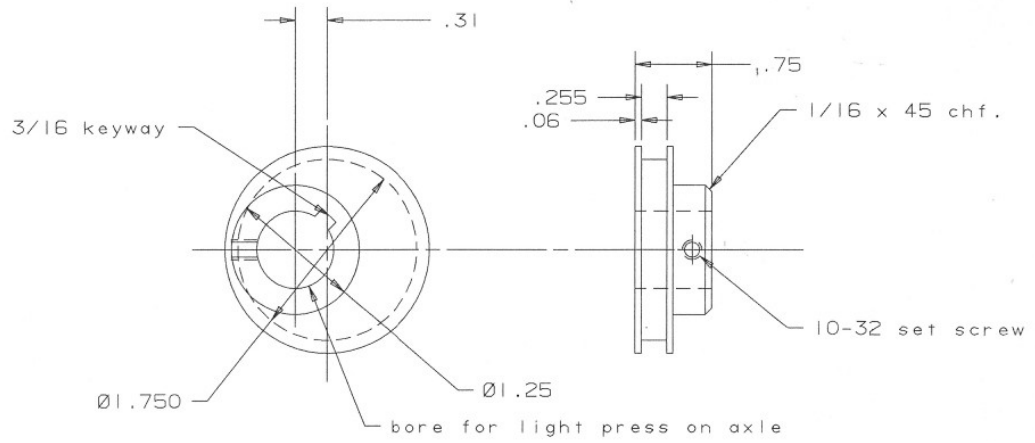


DO NOT SCALE DRAWING
 TOLERANCES
 UNLESS OTHERWISE SPECIFIED:
 ANGLES ±1°
 DECIMALS: (3 PLACE) ±.005
 (2 PLACE) ±.015

MATERIAL: brass

PIKE LAKE & EASTERN
 Hartford Shops

					DWG	TA	DATE	4-24-97	FILE	SCALE	FULL
					OKD		DATE		DWG		
					TITLE						NO.
					VALVE CAP						MP-133
					SYM	ECO	REVISION	BY	DATE		

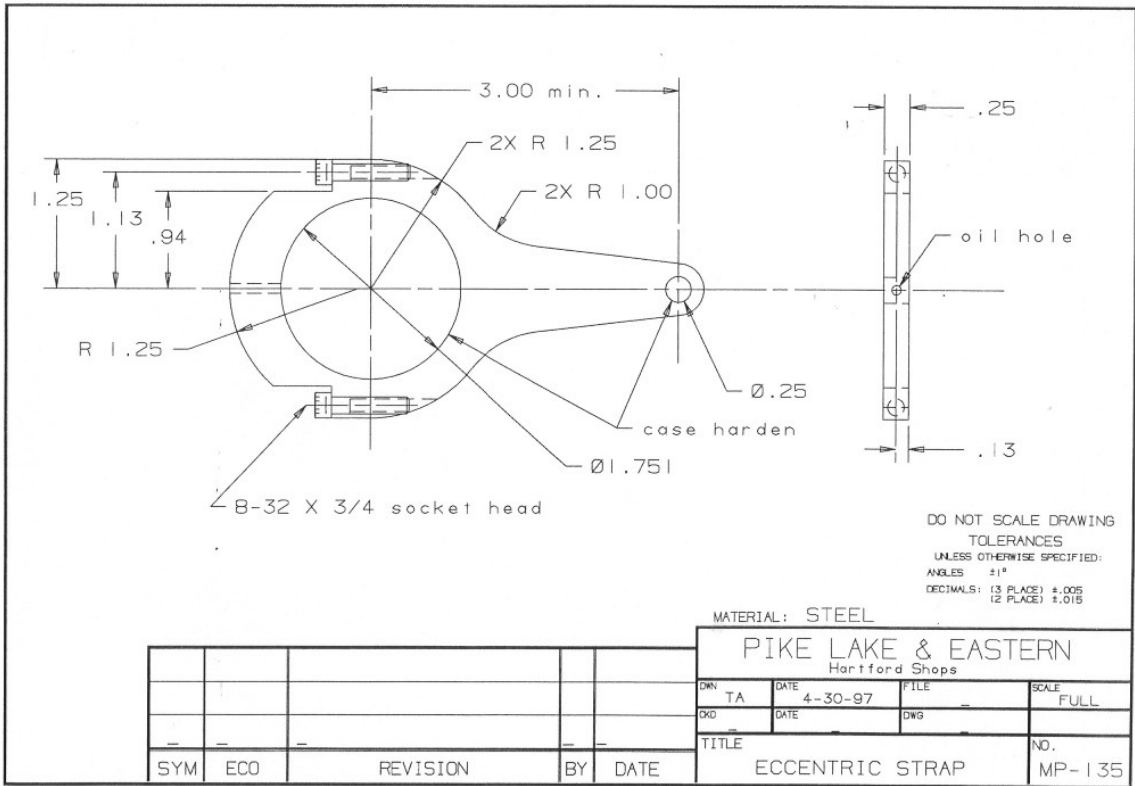


DO NOT SCALE DRAWING
 TOLERANCES
 UNLESS OTHERWISE SPECIFIED:
 ANGLES ±1°
 DECIMALS: (3 PLACE) ±.005
 (2 PLACE) ±.015

MATERIAL: BRONZE

PIKE LAKE & EASTERN
 Hartford Shops

						DWN	TA	DATE	4-30-97	FILE		SCALE	FULL
						CHK		DATE		DWG			
						TITLE							NO.
SYM	ECO		REVISION		BY	DATE	ECCENTRIC					MP-134	



MATERIAL: STEEL

PIKE LAKE & EASTERN
 Hartford Shops

					DWN	TA	DATE	4-30-97	FILE	SCALE	FULL
					DKD		DATE		DWG		
					TITLE						NO.
					ECCENTRIC STRAP						MP-135
SYM	ECO		REVISION	BY	DATE						