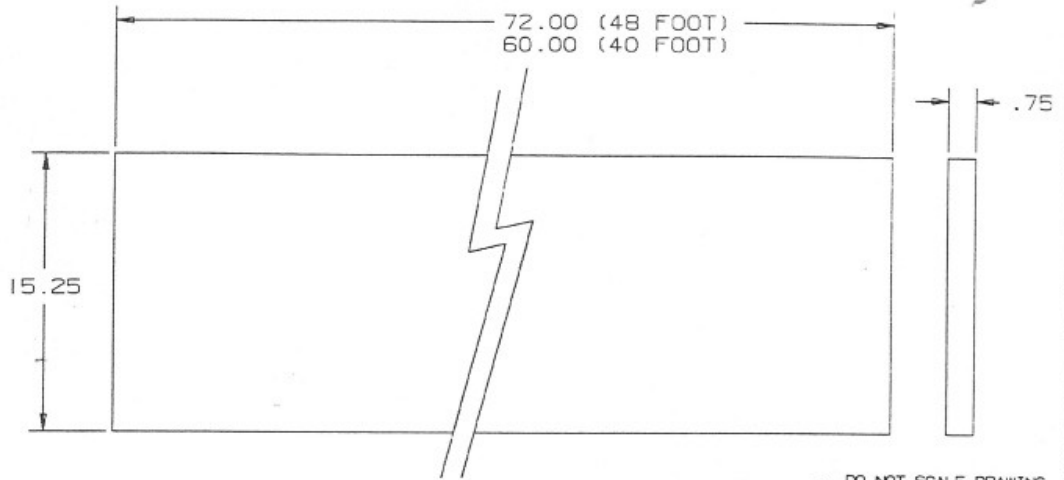


Large Scale Model Railway Engineering

This month we will start construction of gondola cars. To be specific a forty foot and a forty eight foot car. The forty foot car scales out at 63 inches over the couplers and the forty eight foot car 75 inches.

The cars are constructed of steel and aluminum with a plywood floor. One could substitute a steel floor if desired. Car ends are aluminum castings as are the ribs. The sides are aluminum plate to keep the weight down a little but steel can also be used.

This issue include drawings for the floor, center sill, sides, side ribs and all of the angle parts. Next month will have the end castings and assembly drawings.



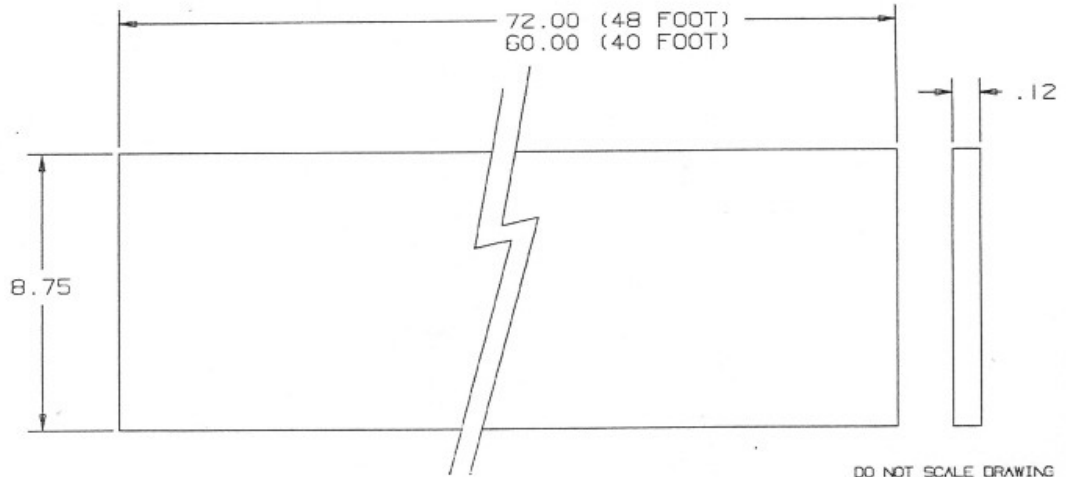
PRIME AND PAINT ALL SIDES

DO NOT SCALE DRAWING
 TOLERANCES
 UNLESS OTHERWISE SPECIFIED:
 ANGLES ±1°
 DECIMALS: (3 PLACE) ±.005
 (2 PLACE) ±.015

MATERIAL: 3/4 PLYWOOD

SYM	ECO	REVISION	BY	DATE

PIKE LAKE & EASTERN Hartford Shops			
DWG	TA	DATE	SCALE
		8-29-94	1
TITLE			NO.
FLOOR, GONDOLA			CD-135



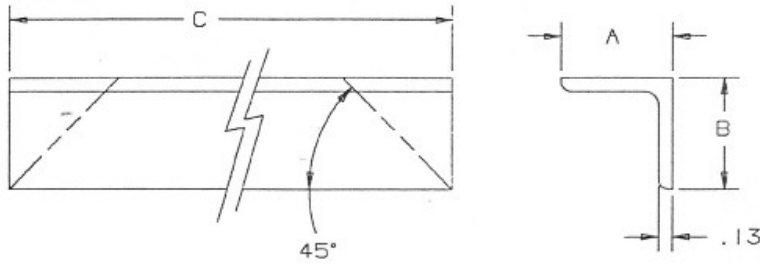
DO NOT SCALE DRAWING
 TOLERANCES
 UNLESS OTHERWISE SPECIFIED:
 ANGLES ±1°
 DECIMALS: (3 PLACE) ±.005
 (2 PLACE) ±.015

MATERIAL: 1/8 STEEL OR ALUMINUM

SYM	ECO	REVISION	BY	DATE

PIKE LAKE & EASTERN Hartford Shops			
DWG	TA	DATE	SCALE
		8-29-94	N.S.
TITLE			NO.
SIDE, GONDOLA			CD-136

	USAGE	A DIM	B DIM	C DIM	REQD	ENDS
CD-138-1	LOWER EDGE, 48 FOOT	1.00	1.00	70.00	2	SQ.
CD-138-2	LOWER EDGE, 40 FOOT	1.00	1.00	58.00	2	SQ.
CD-138-3	LIP, END	.75	.75	16.62	4	45°
CD-138-4	LIP, SIDE 48 FOOT	.75	.75	73.25	2	45°
CD-138-5	LIP, SIDE 40 FOOT	.75	.75	61.25	2	45°



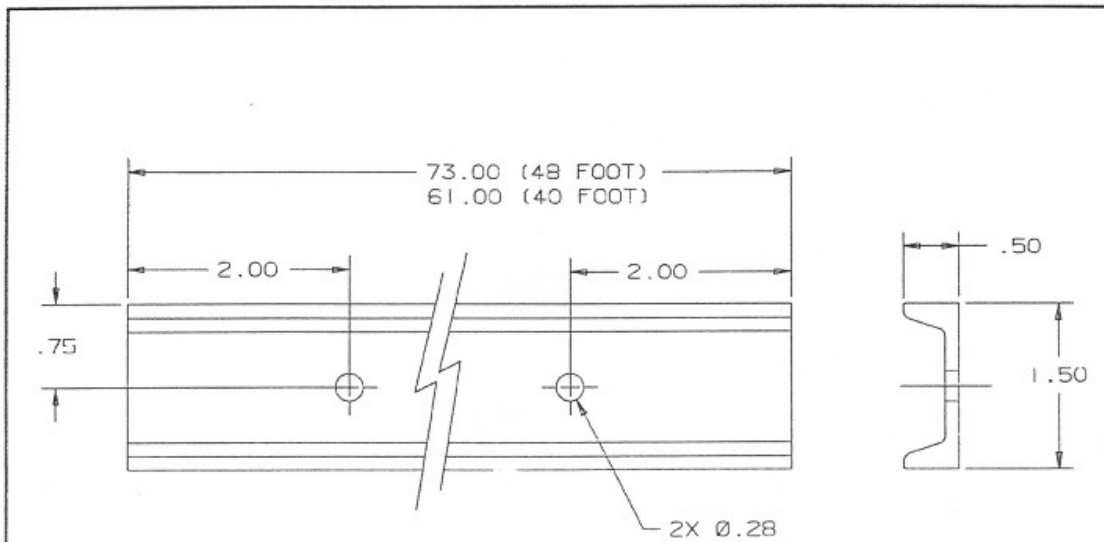
SAW AND DEBURR

MATERIAL: 1/8 ANGLE

DO NOT SCALE DRAWING
TOLERANCES
UNLESS OTHERWISE SPECIFIED:
ANGLES ±1°
DECIMALS: (2 PLACE) ±.005
(3 PLACE) ±.015

PIKE LAKE & EASTERN
Hartford Shops

					DWG	TA	DATE	8-29-93	FILE	SCALE	N.S.
					DWG		DATE		DWG		1-100
					TITLE						NO.
					ANGLE, GONDOLA						CD-138
SYM	ECO		REVISION	BY	DATE						



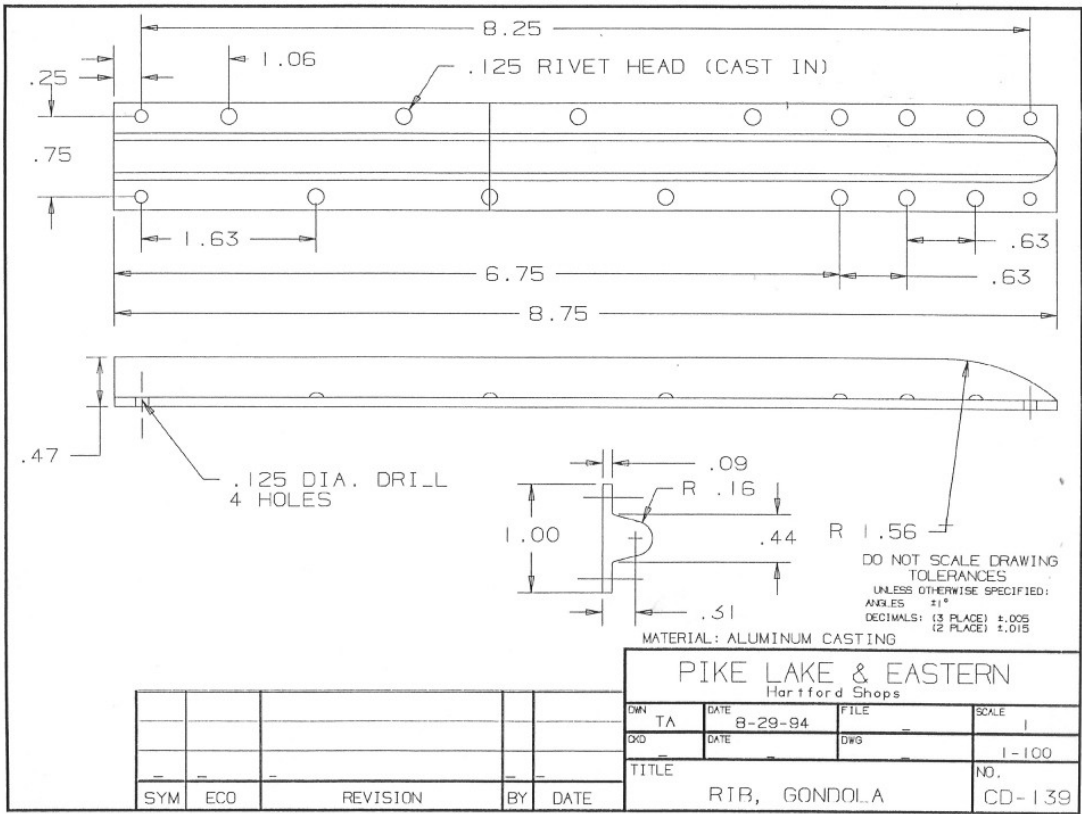
SAW SQUARE AND DEBURR

DO NOT SCALE DRAWING
TOLERANCES
UNLESS OTHERWISE SPECIFIED:
ANGLES ±1°
DECIMALS: (2 PLACE) ±.005
(3 PLACE) ±.015

MATERIAL: 1 1/2 X 1/2 X 1/2 X 1/8 STEEL CHANNEL

PIKE LAKE & EASTERN
Hartford Shops

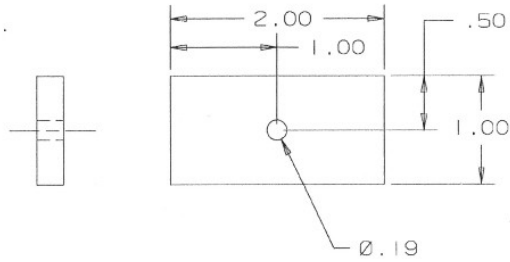
					DWG	TA	DATE	8-29-94	FILE	SCALE	1
					DWG		DATE		DWG		1-100
					TITLE						NO.
					CHANNEL, CENTER STU						CD-137
SYM	ECO		REVISION	BY	DATE						



PIKE LAKE & EASTERN
Hartford Shops

SYM	ECO	REVISION	BY	DATE

DWN	TA	DATE	FILE	SCALE
		8-29-94		1
ORD	DATE	DWG	NO.	
			1-100	
TITLE				NO.
RTB, GONDOLA				CD-139

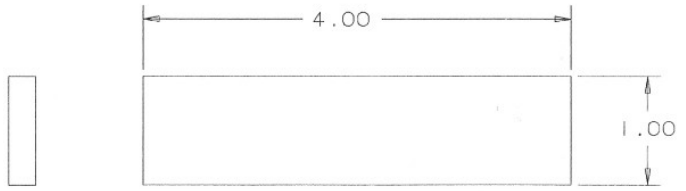


DO NOT SCALE DRAWING
 TOLERANCES
 UNLESS OTHERWISE SPECIFIED:
 ANGLES $\pm 1^\circ$
 DECIMALS: (3 PLACE) $\pm .005$
 (2 PLACE) $\pm .015$

MATERIAL: 1/4 X 1 HR FLAT

PIKE LAKE & EASTERN
 Hartford Shops

					DWG	TA	DATE	10-2-94	FILE	SCALE	1
					QTD		DATE		DWG		1-100
					TITLE						NO.
					CHANNEL SPACER						CD-141
					SYM	ECO	REVISION	BY	DATE		

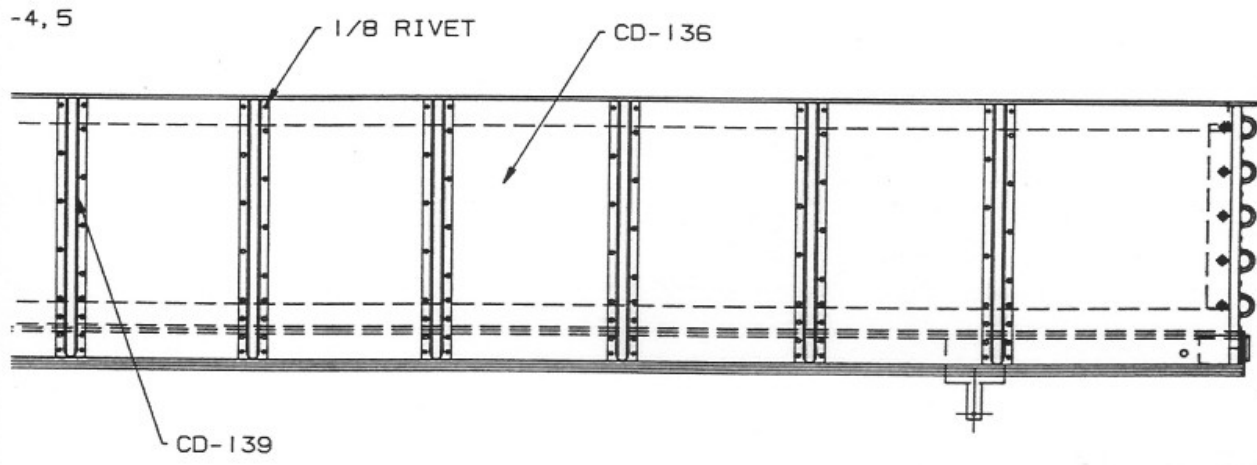
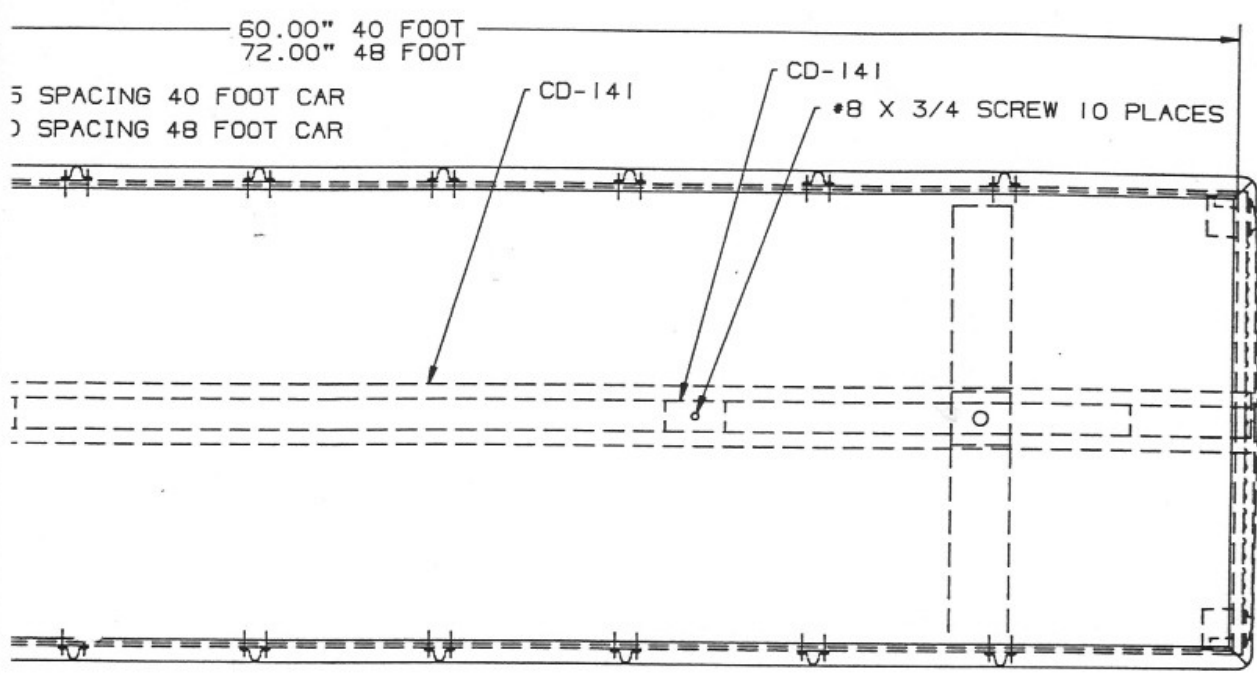


DO NOT SCALE DRAWING
 TOLERANCES
 UNLESS OTHERWISE SPECIFIED:
 ANGLES ±1°
 DECIMALS: (3 PLACE) ±.005
 (2 PLACE) ±.015

MATERIAL: 1/4 X 1 HR FLAT

PIKE LAKE & EASTERN
 Hartford Shops

					DRW	TA	DATE	10-2-94	FILE	SCALE	1
					CRD		DATE		DWG		1-100
					TITLE						NO.
					COUPLER COVER						CD-142
					SYM	ECO	REVISION	BY	DATE		



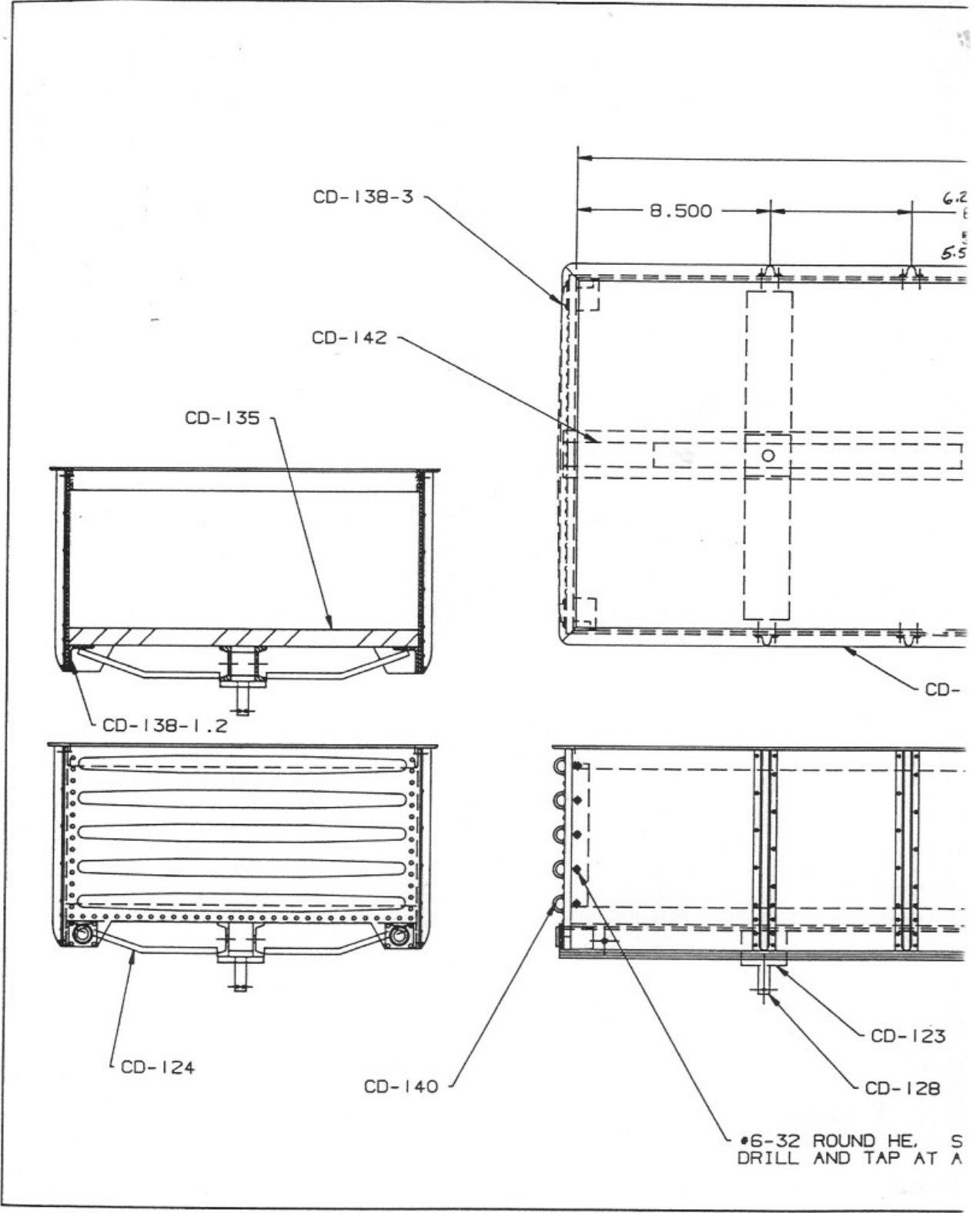
DO NOT SCALE DRAWING
 TOLERANCES
 UNLESS OTHERWISE SPECIFIED
 ANGLES 90°
 DECIMALS 2 ROUNDS

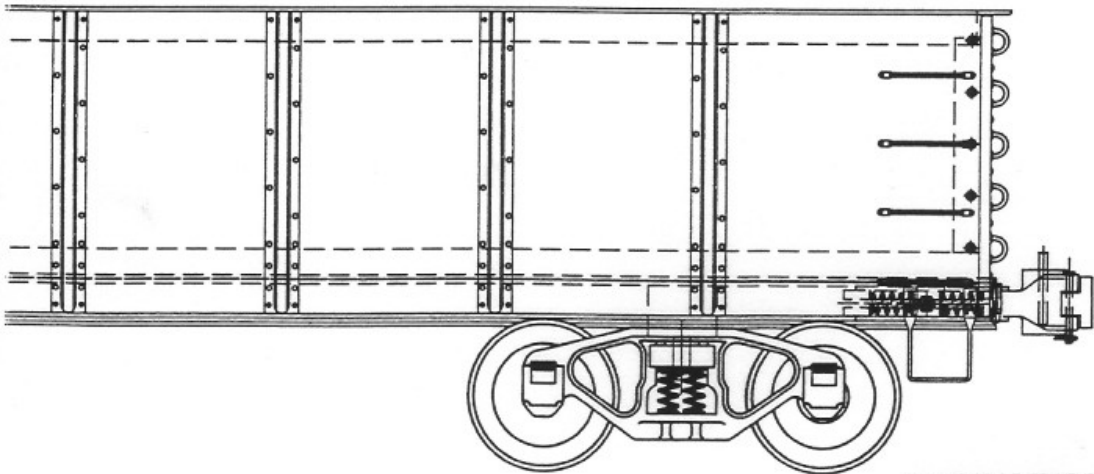
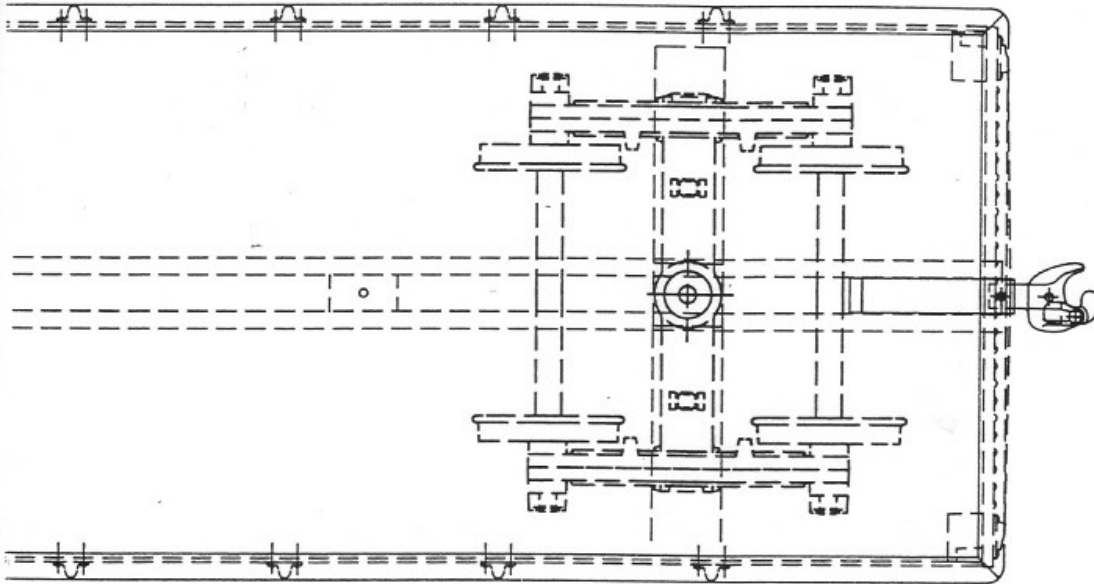
MATERIAL:

PIKE LAKE & EASTERN			
Harford Shops			
DATE	FILE	SCALE	
11-2-04		N.S.	
NO.	NO.	NO.	NO.
		1-100	
TITLE			NO.
GONDOLA BODY			CD-143

W
 MBL Y

SYM	EDD	REVISION	BY	DATE





DO NOT SCALE DRAWING
 TOLERANCES
 UNLESS OTHERWISE SPECIFIED:
 HOLE: .015"
 DECIMALS: 12 PLACED .005
 12 PLACED .018

MATERIAL:

PIKE LAKE & EASTERN
 Hartford Shops

SYM	ECO	REVISION	BY	DATE

DESIGN	DATE	FILE	SCALE
TA	11-2-94		N.S.
DR		DRG	1-100
TITLE			NO.
GONDOLA			CD-144

